



Transitional tent concept

Tom Corsellis, Shelter Centre

Harry Crofton, Shelter Centre

Laura Martinelli, Shelter Centre

Brenda Coughlan, DFID

The evolution of the Transitional Tent concept





- Progress so far

- Next steps
- Following this process



Progress so far

- Standards
- Humanitarian consortium
- Involvement from manufacturers
- Engineering input
- What next?





Progress so far

-Standards

-Humanitarian consortium

-Involvement from manufacturers

-Engineering input

-What next?



Standards



"Agreeing common standards and indicators for transitional shelters in humanitarian operations, both in order to improve the quality and consistency of response, and to engage research and development capacities of shelter manufacturers."

Draft

shelter centre





Progress so far

- Standards
- Humanitarian consortium

- Involvement from manufacturers
- Engineering input
- What next?



-Humanitarian consortium



Progress so far

- Standards
- Humanitarian consortium
- Involvement from manufacturers

- Engineering input
- What next?



Involvement from manufacturers



DFID Department for International Development

 Save the Children UK

 MEDECINS SANS FRONTIERES

 USAID FROM THE AMERICAN PEOPLE

shelter centre

Shelter meeting 11a is hosted by UNDP

Friday 13 May 2011

Progress so far

- Standards
- Humanitarian consortium
- Involvement from manufacturers
- Engineering input

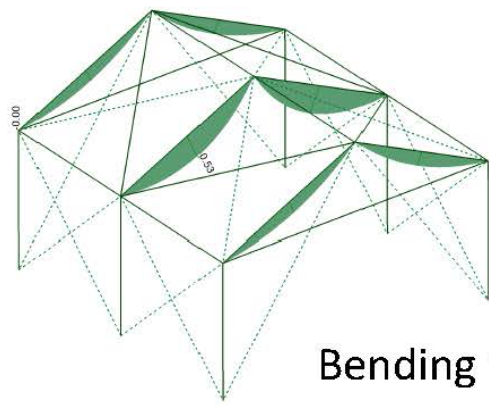
- What next?



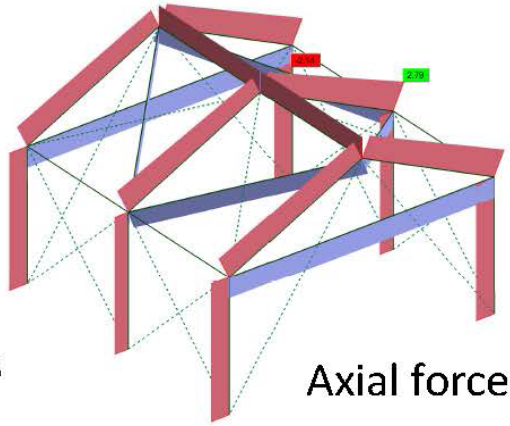
Engineering input

Wind speed 18m/s

LOSBERGER – Nunatak



Bending moments



Axial forces



- Progress so far
 - Next steps
-
- Following this process

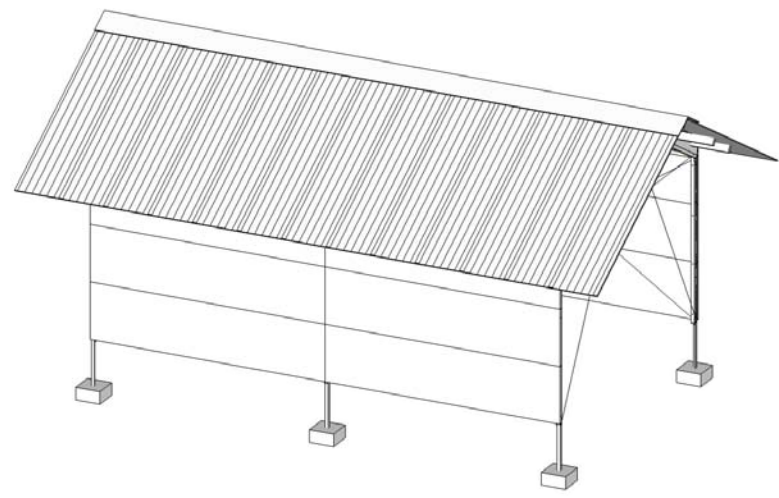
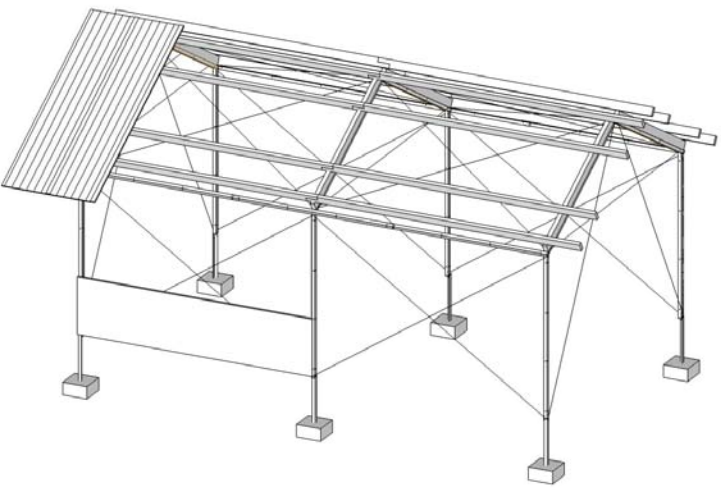
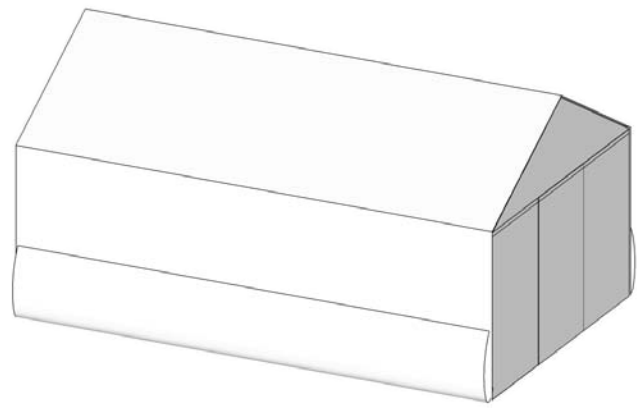
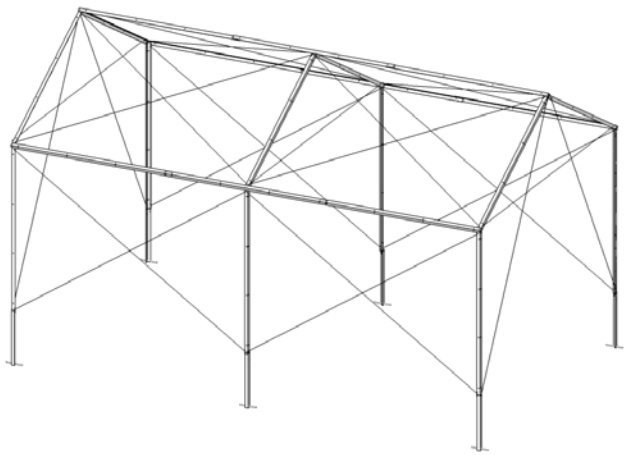


Next steps

- Identify core group
- Produce design brief
- Send to engineers
- Build and test prototypes
- A procurer finalises specifications



Design brief



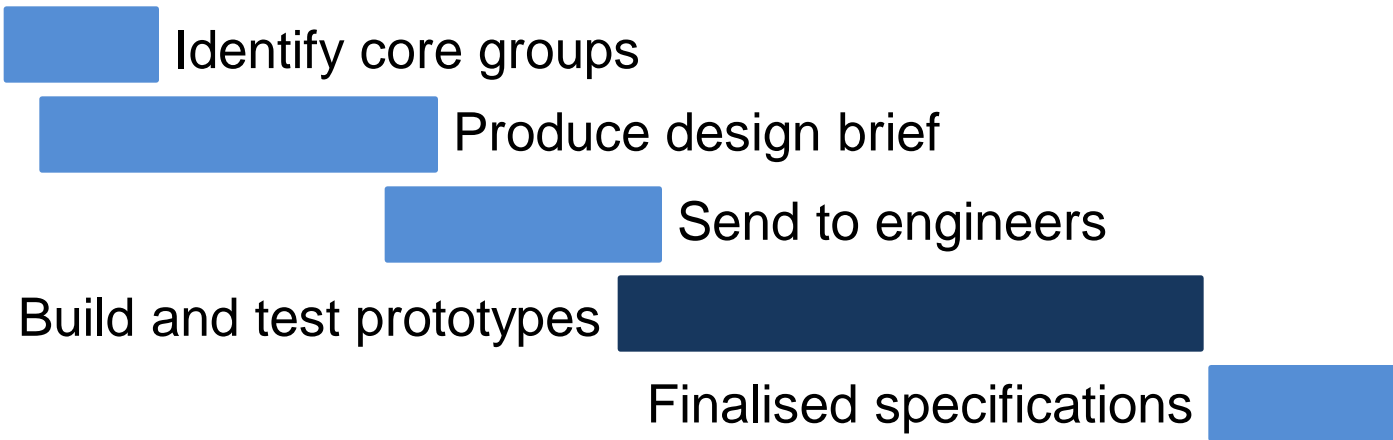
DFID Department for International Development

Save the Children UK

MEDECINS SANS FRONTIERES

USAID FROM THE AMERICAN PEOPLE

Timeline



Organisations that have expressed interest in the Transitional Tent project





- Progress so far
 - Next steps
 - Following this process
-





Following the project

- Tell us on the feedback forms!
- The existing consortium will be kept informed
- Any questions?

