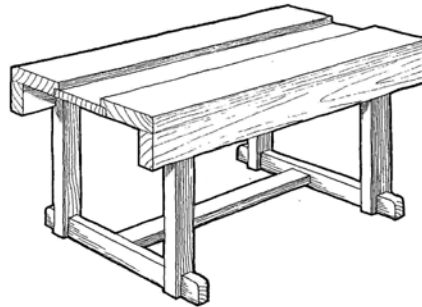


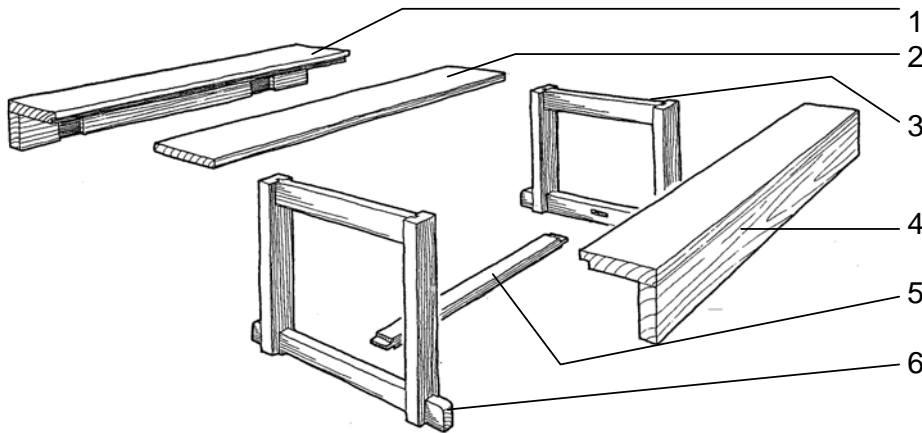
# A WOODWORKING BENCH



The top of the bench should be made of hard wood, the end frames can be made from softwood. It can be fitted with both types of wooden vice. The bench can either be fixed permanently with glue and screws or bolted together for easy transport.



Name of Part	No	L	W	T
Bench Top	2	1500	240	40
Bench Sides	2	1500	140	40
Centre Panel	1	1500	280	20
Top Rail	2	650	80	40
Bottom Rail	2	780	80	40
Legs	4	710	80	40
Stretcher Rail	1	1120	80	40

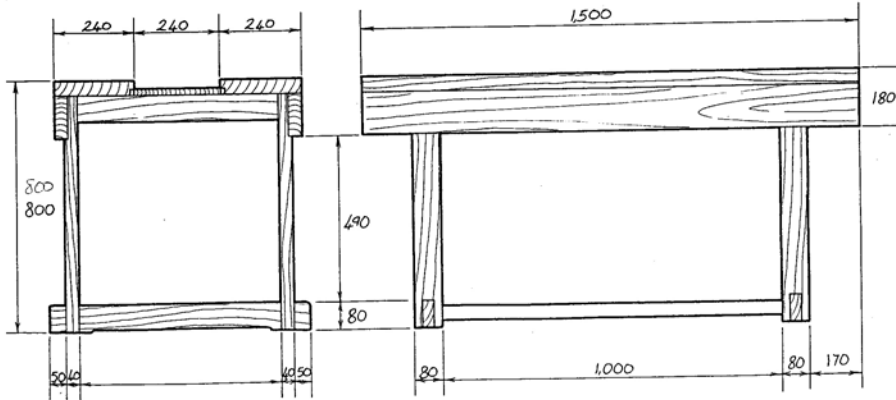


- Key
- 1 – Bench Top
  - 2 – Centre Panel
  - 3 – End Frame
  - 4 – Bench Top
  - 5 – Stretcher Rail
  - 6 – End Frame

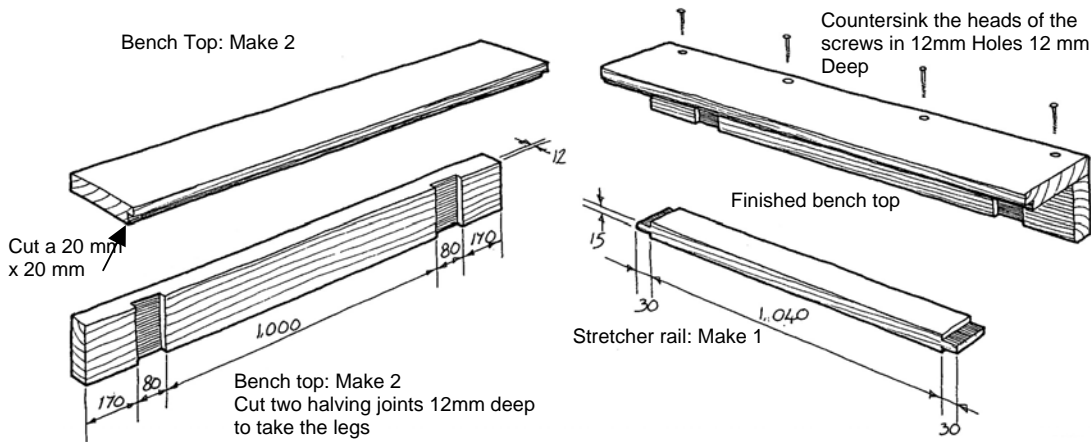
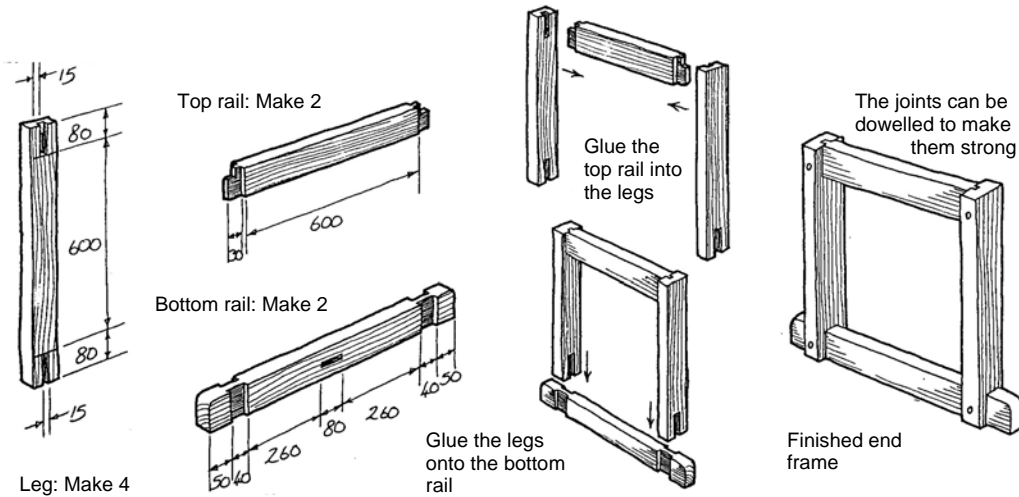
(all dimensions in mm)

technical brief

### End sections

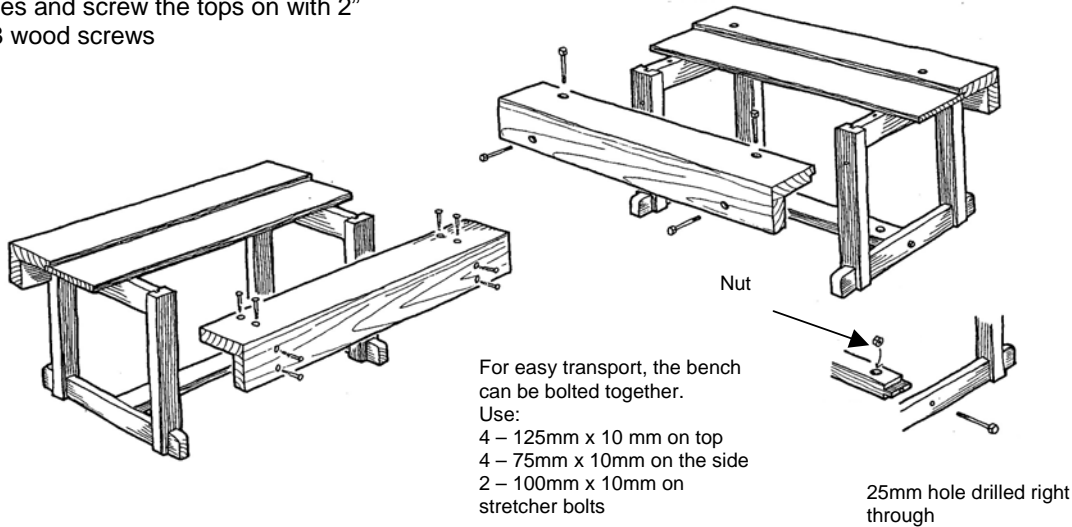


### To make the end frames



technical brief

To fix the bench permanently together, glue the stretcher rail into the end frames and screw the tops on with 2" No 8 wood screws



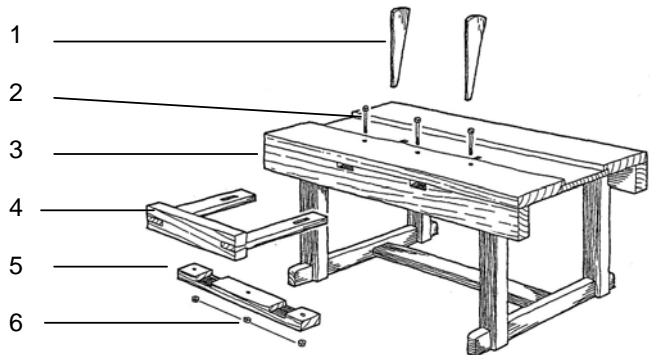
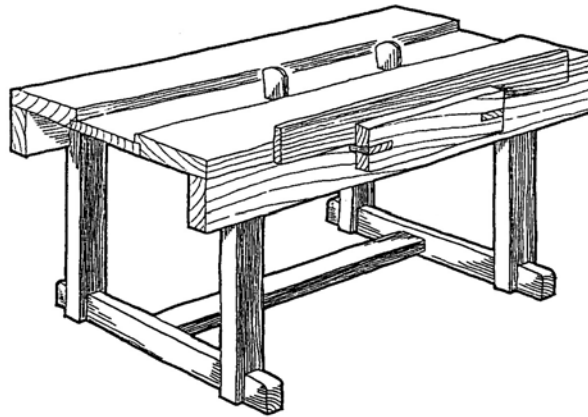
Countersink the heads of the screws in 12mm holes  
12mm deep

### Carpentry vice

This vice is very simple to make yet extremely effective. It can easily be fitted to any kind of workbench.

#### Cutting list

Name of Part	No	L	W	T
Wedges	2	300	75	12
Arms	2		75	25
Jaw	1	600	110	40
Jaw Guide	1	700	80	40

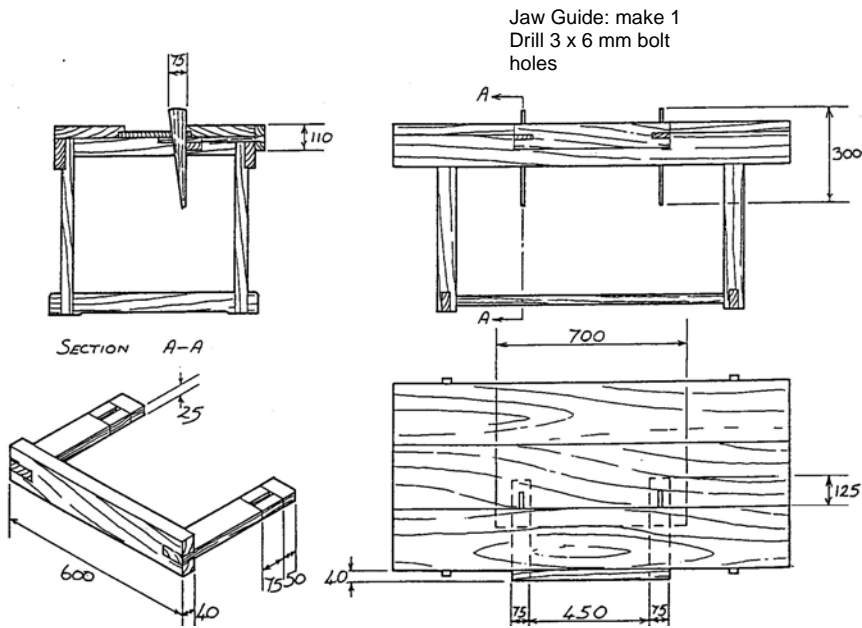


Key  
 1 - Wedges  
 2 - 3 x 100 x 6 bolts  
 3 - Bench  
 4 - Jaw Assembly  
 5 - Jaw Guide  
 6 - 3 x 6 Nuts

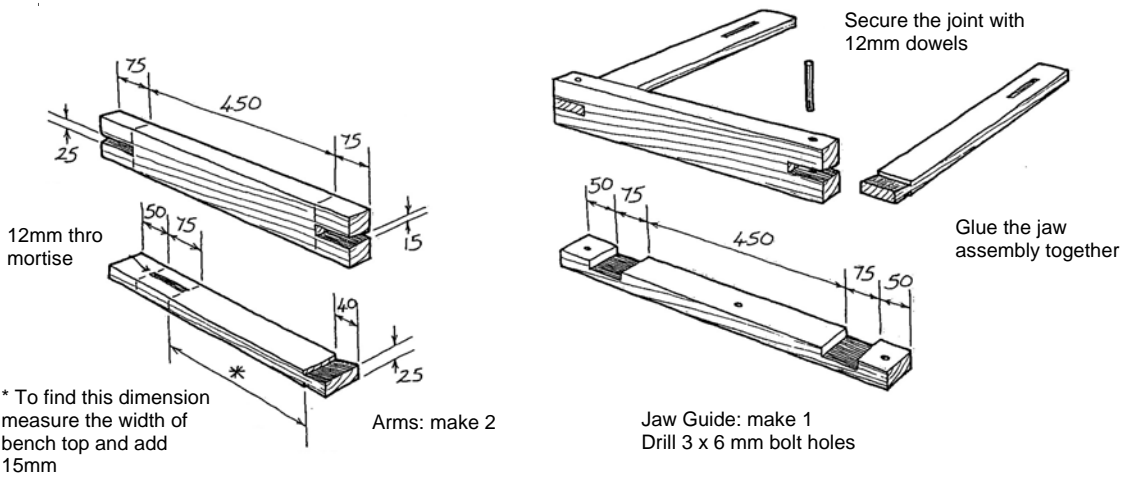
(all dimensions in mm)

technical brief

**Jaw assembly**



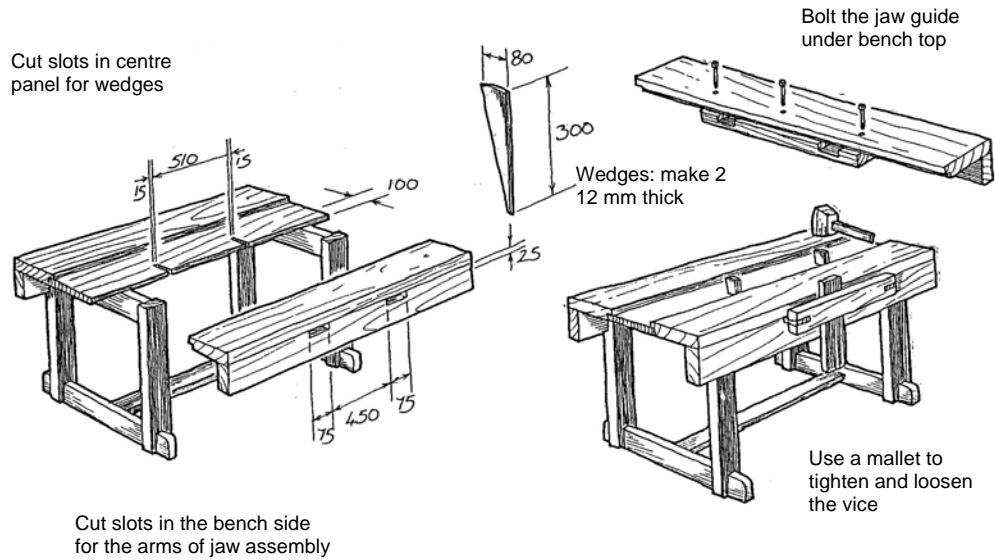
**To make the jaw assembly**



\* To find this dimension measure the width of bench top and add 15mm

technical brief

### To fit the vice



### References and further reading

- Woodworking* Practical Action Technical Brief
- Woodworking ~ Treatment and Preparation* Practical Action Technical Brief
- Non Poisonous Timber Protection* Practical Action Technical Brief
- How to Make a Jackplane* Practical Action Technical Brief
- Oil Soaked Wood Bearings* Practical Action Technical Brief